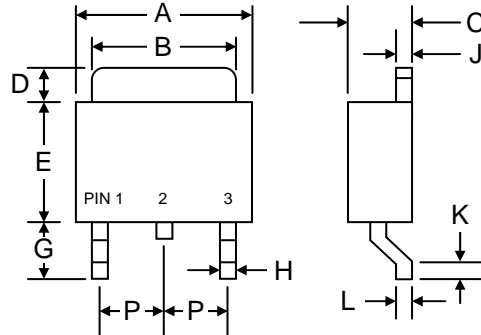


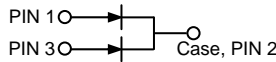
Features

- Glass Passivated Die Construction
- Ideally Suited for Automatic Assembly
- Low Profile Package
- High Surge Current Capability
- Low Power Loss, High Efficiency
- Super-Fast Recovery Time
- Ideally Suited for Use in High Frequency SMPS, Inverters, and As Free Wheeling Diodes



Mechanical Data

- Case: DPAK/TO-252, Molded Plastic
- Terminals: Plated Leads Solderable per MIL-STD-202, Method 208
- Polarity: See Diagram
- Weight: 0.3 grams (approx.)
- Mounting Position: Any
- Marking: Device Code, See Page 3
- **Lead Free: For RoHS / Lead Free Version, Add “-LF” Suffix to Part Number, See Page 4**



DPAK/TO-252		
Dim	Min	Max
A	6.05	6.70
B	5.05	5.55
C	2.10	2.50
D	1.05	1.25
E	5.48	6.20
G	2.55	3.40
H	0.55	0.90
J	0.40	0.60
K	0.95	1.60
L	0.45	0.55
P	2.30 Typical	
All Dimensions in mm		

Maximum Ratings and Electrical Characteristics @_{T_A}=25°C unless otherwise specified

Single Phase, half wave, 60Hz, resistive or inductive load. For capacitive load, derate current by 20%.

Characteristic	Symbol	MURD620CT	MURD630CT	MURD640CT	MURD660CT	Unit
Peak Repetitive Reverse Voltage	V_{RRM}					
Working Peak Reverse Voltage	V_{RWM}	200	300	400	600	V
DC Blocking Voltage	V_R					
RMS Reverse Voltage	$V_{R(RMS)}$	140	210	280	420	V
Average Rectified Output Current @ _{T_C} = 100°C	I_O		6.0			A
	Total Device Per Diode		3.0			
Non-Repetitive Peak Forward Surge Current 8.3ms Single Half Sine-Wave Superimposed on Rated Load (JEDEC Method)	I_{FSM}		75			A
Forward Voltage per diode @ _{I_F} = 3.0A	V_{FM}	0.95	1.3		1.7	V
Peak Reverse Current At Rated DC Blocking Voltage	I_{RM}			10		μA
	@ _{T_C} = 25°C @ _{T_C} = 100°C			500		
Reverse Recovery Time (Note 1)	t_{rr}		35			nS
Typical Junction Capacitance (Note 2)	C_J	85	50			pF
Thermal Resistance Junction to Ambient (Note 3)	R_{JA}		80			°C/W
Thermal Resistance Junction to Lead (Note 3)	R_{JC}		9.0			
Operating and Storage Temperature Range	T_J, T_{STG}		-55 to +150			°C

Note: 1. Measured with $I_F = 0.5A$, $I_R = 1.0A$, $I_{RR} = 0.25A$.
 2. Measured at 1.0 MHz and applied reverse voltage of 4.0 V DC.
 3. Mounted on PCB with minimum recommended pad sizes per diode.

MURD620CT – MURD660CT

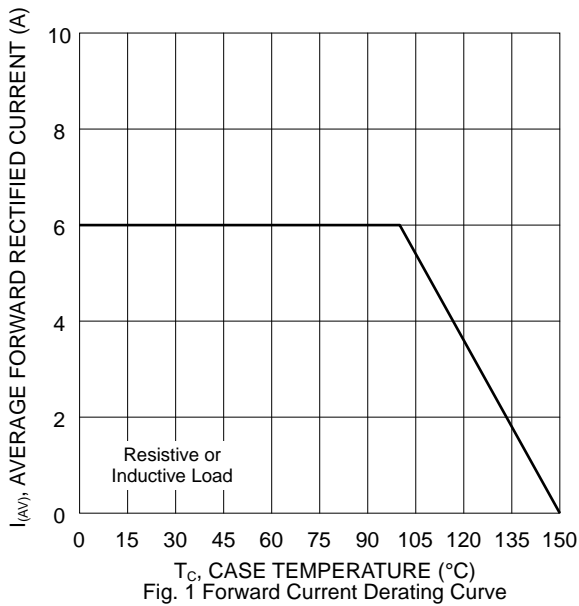


Fig. 1 Forward Current Derating Curve

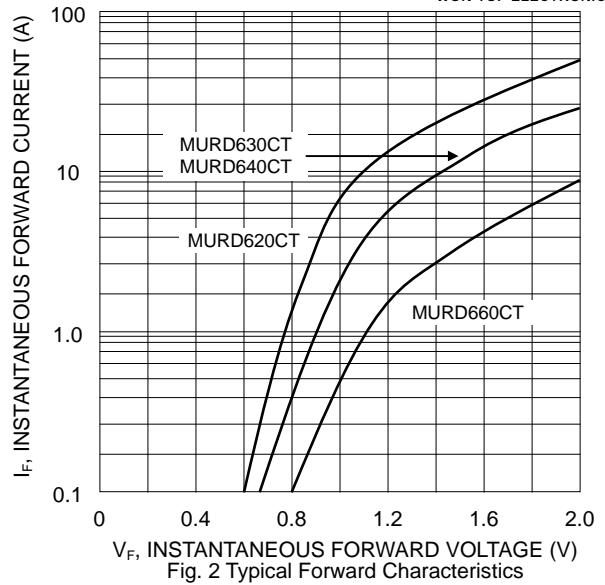


Fig. 2 Typical Forward Characteristics

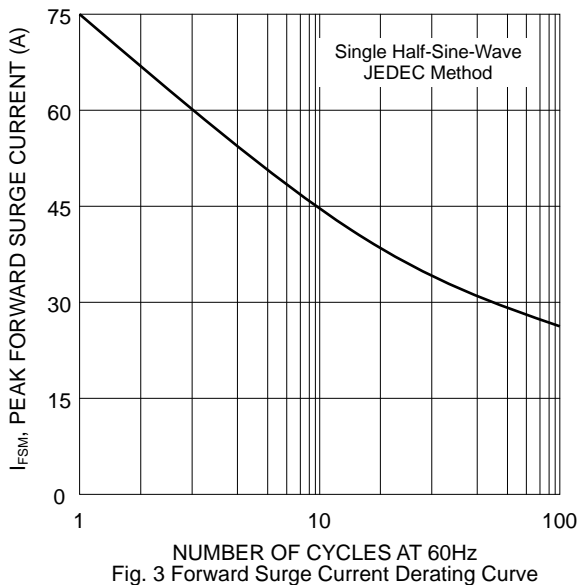


Fig. 3 Forward Surge Current Derating Curve

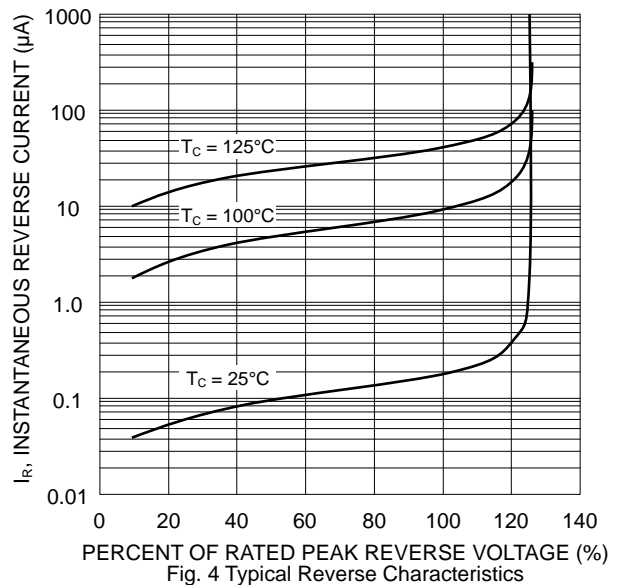


Fig. 4 Typical Reverse Characteristics

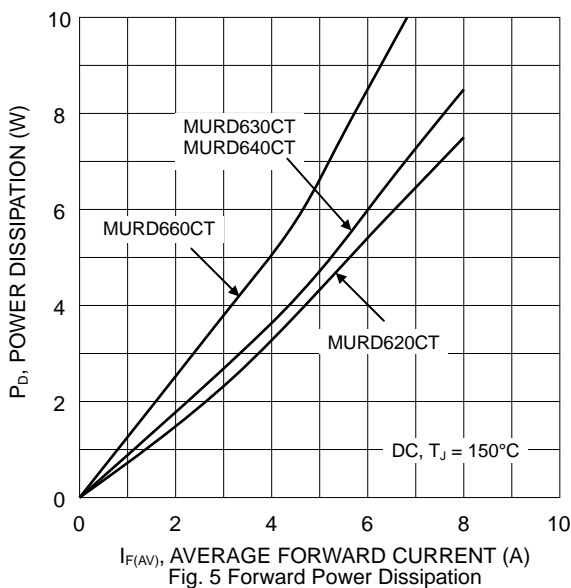


Fig. 5 Forward Power Dissipation

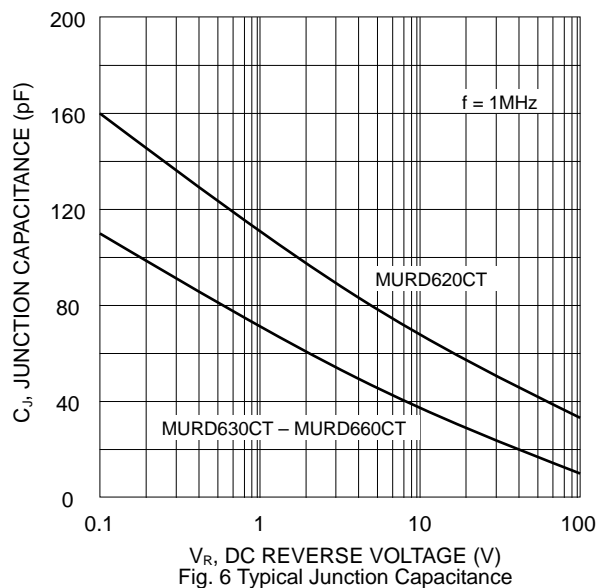


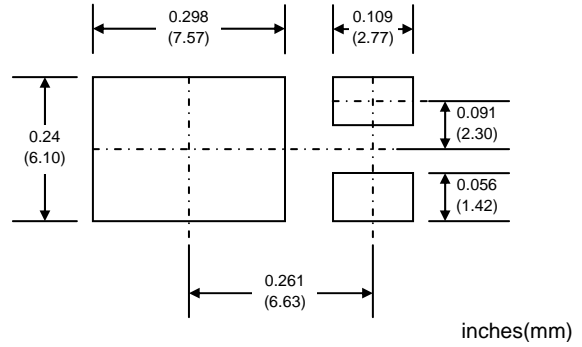
Fig. 6 Typical Junction Capacitance

MARKING INFORMATION



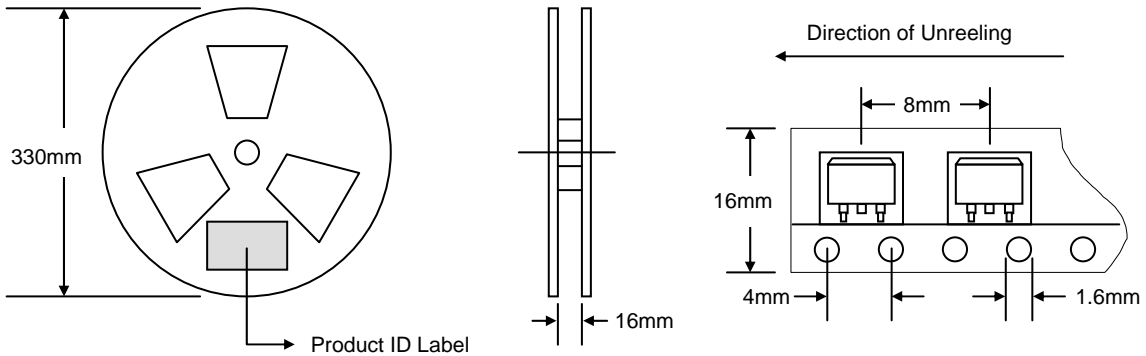
U6xxCT = Device Number
 xx = 20 (MURD620CT)
 30 (MURD630CT)
 40 (MURD640CT)
 60 (MURD660CT)
 Polarity = As Marked on Body

RECOMMENDED FOOTPRINT



PACKAGING INFORMATION

TAPE & REEL




Reel Diameter (mm)	Quantity (PCS)	Inner Box Size L x W x H (mm)	Quantity (PCS)	Carton Size L x W x H (mm)	Quantity (PCS)	Approx. Gross Weight (KG)
330	2,500	340 x 337 x 45	5,000	370 x 370 x 420	40,000	18.0

Note: 1. Paper reel, white or gray color.
 2. Components are packed in accordance with EIA standard 481-1 and 481-2.

ORDERING INFORMATION

Product No.	Package Type	Shipping Quantity
MURD620CT-T3	DPAK	2500/Tape & Reel
MURD630CT-T3	DPAK	2500/Tape & Reel
MURD640CT-T3	DPAK	2500/Tape & Reel
MURD660CT-T3	DPAK	2500/Tape & Reel

1. Shipping quantity given is for minimum packing quantity only. For minimum order quantity, please consult the Sales Department.
2. **To order RoHS / Lead Free version (with Lead Free finish), add "-LF" suffix to part number above. For example, MURD620CT-T3-LF.**

WON-TOP ELECTRONICS and  are registered trademarks of Won-Top Electronics Co., Ltd (WTE). WTE has checked all information carefully and believes it to be correct and accurate. However, WTE cannot assume any responsibility for inaccuracies. Furthermore, this information does not give the purchaser of semiconductor devices any license under patent rights to manufacturer. WTE reserves the right to change any or all information herein without further notice.

WARNING: DO NOT USE IN LIFE SUPPORT EQUIPMENT. WTE power semiconductor products are not authorized for use as critical components in life support devices or systems without the express written approval.

Won-Top Electronics Co., Ltd.
No. 44 Yu Kang North 3rd Road,
Chine Chen Dist., Kaohsiung 806, Taiwan
Phone: 886-7-822-5408 or 886-7-822-5410
Fax: 886-7-822-5417
Email: sales@wontop.com
Internet: <http://www.wontop.com>

We power your everyday.