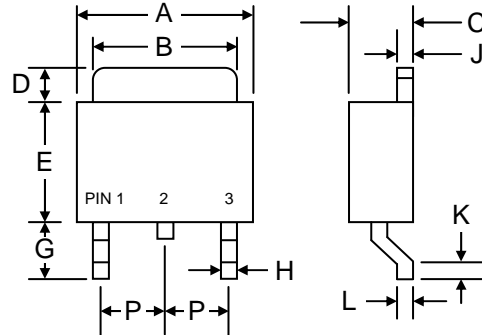


### Features

- Schottky Barrier Chip
- Guard Ring Die Construction for Transient Protection
- High Surge Current Capability
- Low Power Loss, High Efficiency
- Ideally Suited for Automatic Assembly
- For Use in Low Voltage, High Frequency Inverters, Free Wheeling, and Polarity Protection Applications



### Mechanical Data

- Case: DPAK/TO-252, Molded Plastic
- Terminals: Plated Leads Solderable per MIL-STD-202, Method 208
- Polarity: See Diagram
- Weight: 0.3 grams (approx.)
- Mounting Position: Any
- Marking: Device Code, See Page 3
- **Lead Free: For RoHS / Lead Free Version, Add "-LF" Suffix to Part Number, See Page 4**

DPAK/TO-252		
Dim	Min	Max
A	6.05	6.70
B	5.05	5.55
C	2.10	2.50
D	1.05	1.25
E	5.48	6.20
G	2.55	3.40
H	0.55	0.90
J	0.40	0.60
K	0.95	1.60
L	0.45	0.55
P	2.30 Typical	
All Dimensions in mm		

### Maximum Ratings and Electrical Characteristics @ $T_A=25^\circ\text{C}$ unless otherwise specified

Single Phase, half wave, 60Hz, resistive or inductive load. For capacitive load, derate current by 20%.

Characteristic	Symbol	MBRD	MBRD	MBRD	MBRD	MBRD	MBRD	MBRD	MBRD	Unit
		1520CT	1530CT	1540CT	1545CT	1550CT	1560CT	1580CT	15100CT	
Peak Repetitive Reverse Voltage Working Peak Reverse Voltage DC Blocking Voltage	$V_{RRM}$ $V_{RWM}$ $V_R$	20	30	40	45	50	60	80	100	V
RMS Reverse Voltage	$V_{R(RMS)}$	14	21	28	28	35	42	56	70	V
Average Rectified Output Current @ $T_C = 125^\circ\text{C}$ Total Device Per Diode	$I_O$	15 7.5								A
Non-Repetitive Peak Forward Surge Current 8.3ms Single Half Sine-Wave Superimposed on Rated Load (JEDEC Method)	$I_{FSM}$	100								A
Forward Voltage per diode @ $I_F = 7.5\text{A}$	$V_{FM}$	0.55			0.75		0.85			V
Peak Reverse Current At Rated DC Blocking Voltage @ $T_J = 25^\circ\text{C}$ @ $T_J = 100^\circ\text{C}$	$I_{RM}$	0.2 45								mA
Typical Junction Capacitance (Note 1)	$C_J$	500				350				pF
Thermal Resistance, Junction to Ambient (Note 2) Thermal Resistance, Junction to Case (Note 2)	$R_{JA}$ $R_{JC}$	70 2.4								$^\circ\text{C/W}$
Operating and Storage Temperature Range	$T_J, T_{STG}$	-55 to +150								$^\circ\text{C}$

Note: 1. Measured at 1.0 MHz and applied reverse voltage of 4.0 V DC.  
2. Mounted on FR-4 PC board with minimum recommended pad layout per diode.

# MBRD1520CT – MBRD15100CT

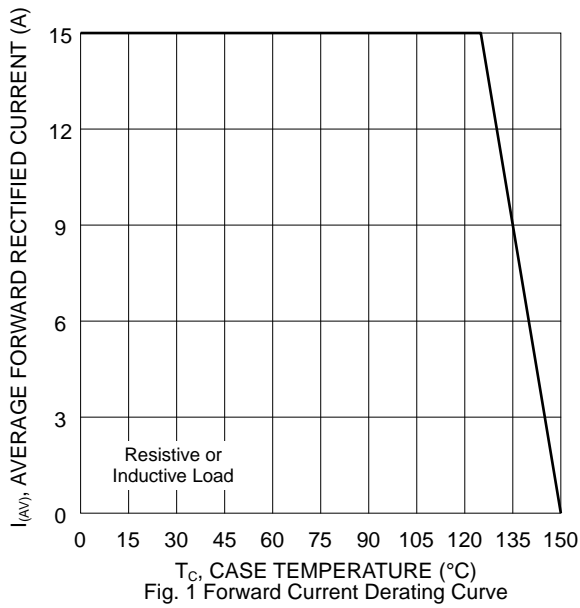


Fig. 1 Forward Current Derating Curve

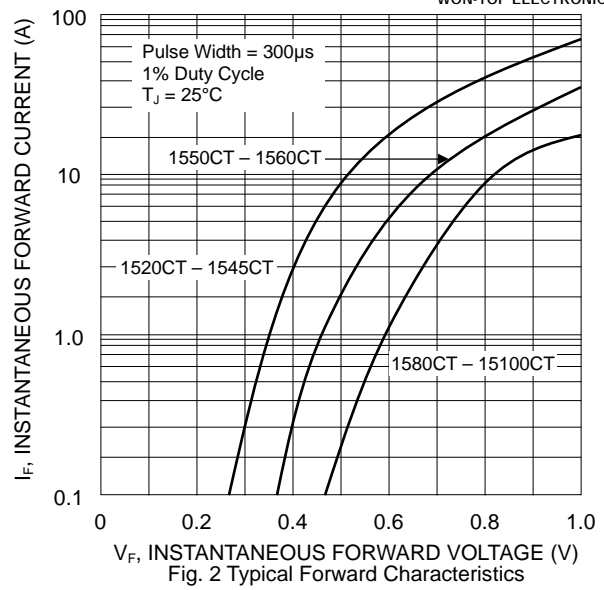


Fig. 2 Typical Forward Characteristics

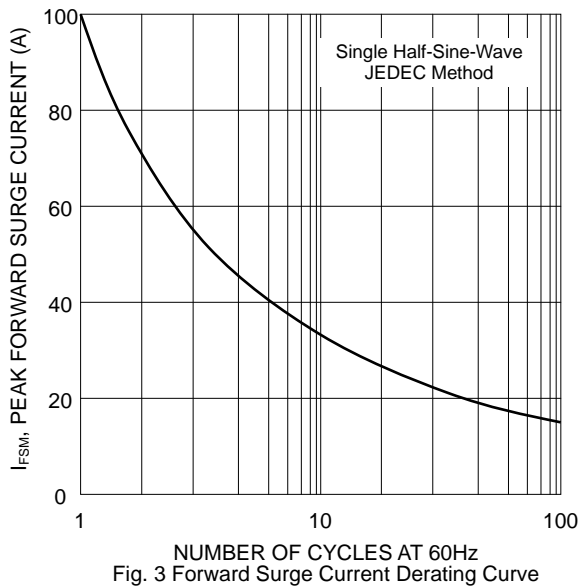


Fig. 3 Forward Surge Current Derating Curve

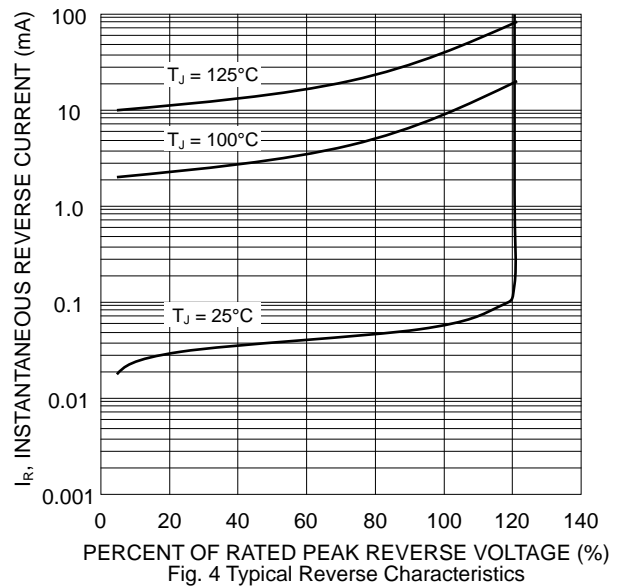


Fig. 4 Typical Reverse Characteristics

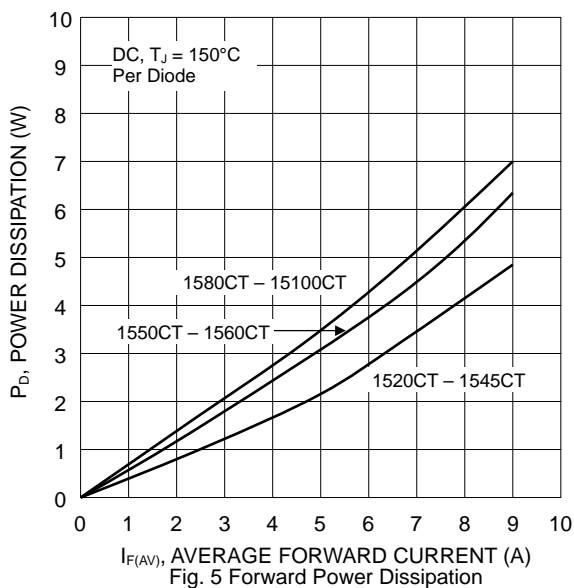


Fig. 5 Forward Power Dissipation

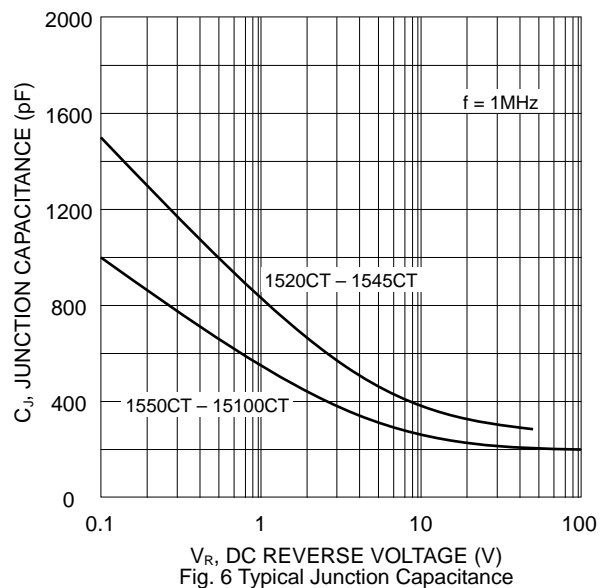
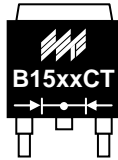


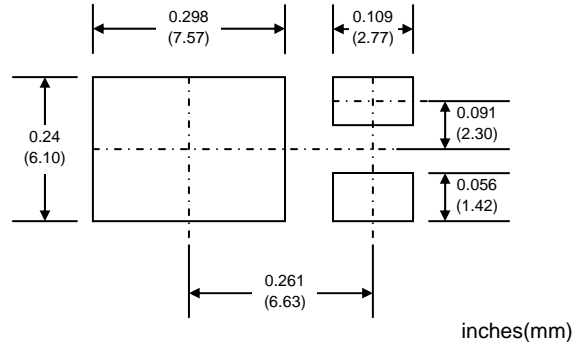
Fig. 6 Typical Junction Capacitance

## MARKING INFORMATION



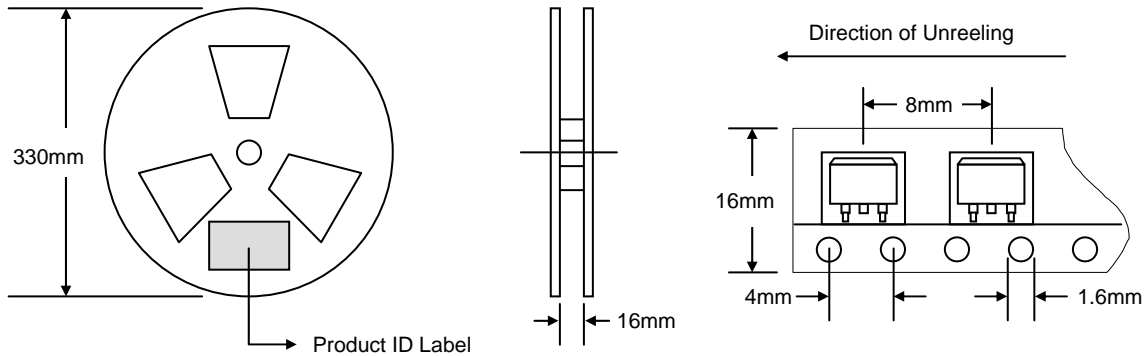
B15xxCT = Device Number  
 xx = 20, 30, 40, 45, 50, 60, 80 or 100  
 Polarity = As Marked on Body

## RECOMMENDED FOOTPRINT



## PACKAGING INFORMATION

### TAPE & REEL



Reel Diameter (mm)	Quantity (PCS)	Inner Box Size L x W x H (mm)	Quantity (PCS)	Carton Size L x W x H (mm)	Quantity (PCS)	Approx. Gross Weight (KG)
330	2,500	340 x 337 x 45	5,000	370 x 370 x 420	40,000	18.0

**Note:** 1. Paper reel, white or gray color.  
 2. Components are packed in accordance with EIA standard 481-1 and 481-2.

## ORDERING INFORMATION

Product No.	Package Type	Shipping Quantity
MBRD1520CT-T3	DPAK	2500/Tape & Reel
MBRD1530CT-T3	DPAK	2500/Tape & Reel
MBRD1540CT-T3	DPAK	2500/Tape & Reel
MBRD1545CT-T3	DPAK	2500/Tape & Reel
MBRD1550CT-T3	DPAK	2500/Tape & Reel
MBRD1560CT-T3	DPAK	2500/Tape & Reel
MBRD1580CT-T3	DPAK	2500/Tape & Reel
MBRD15100CT-T3	DPAK	2500/Tape & Reel

1. Shipping quantity given is for minimum packing quantity only. For minimum order quantity, please consult the Sales Department.
2. **To order RoHS / Lead Free version (with Lead Free finish), add "-LF" suffix to part number above. For example, MBRD1520CT-T3-LF.**

WON-TOP ELECTRONICS and  are registered trademarks of Won-Top Electronics Co., Ltd (WTE). WTE has checked all information carefully and believes it to be correct and accurate. However, WTE cannot assume any responsibility for inaccuracies. Furthermore, this information does not give the purchaser of semiconductor devices any license under patent rights to manufacturer. WTE reserves the right to change any or all information herein without further notice.

**WARNING: DO NOT USE IN LIFE SUPPORT EQUIPMENT.** WTE power semiconductor products are not authorized for use as critical components in life support devices or systems without the express written approval.

**Won-Top Electronics Co., Ltd.**  
No. 44 Yu Kang North 3rd Road,  
Chine Chen Dist., Kaohsiung 806, Taiwan  
**Phone:** 886-7-822-5408 or 886-7-822-5410  
**Fax:** 886-7-822-5417  
**Email:** sales@wontop.com  
**Internet:** http://www.wontop.com

*We power your everyday.*